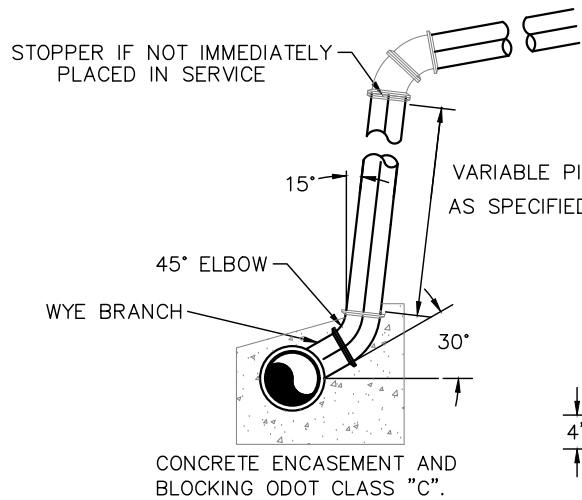
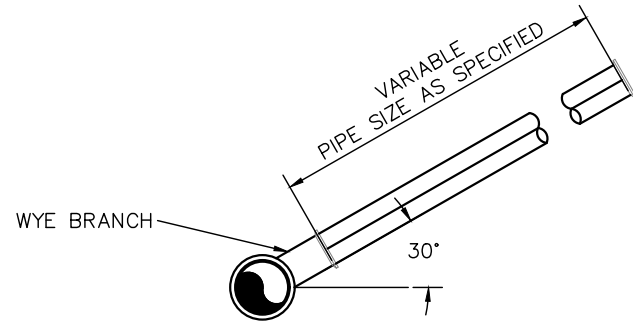
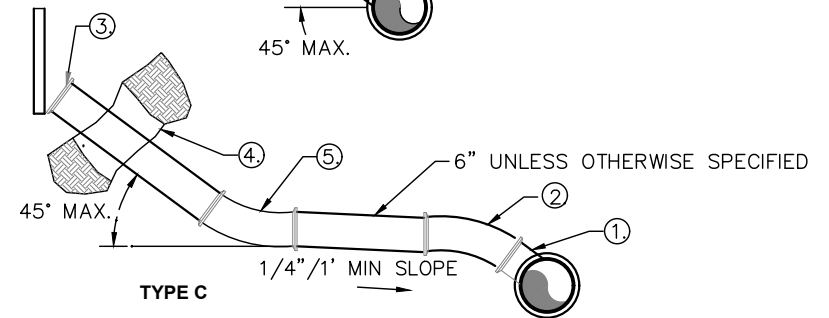
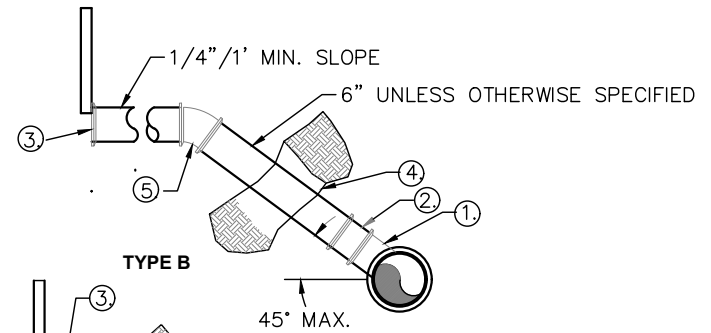
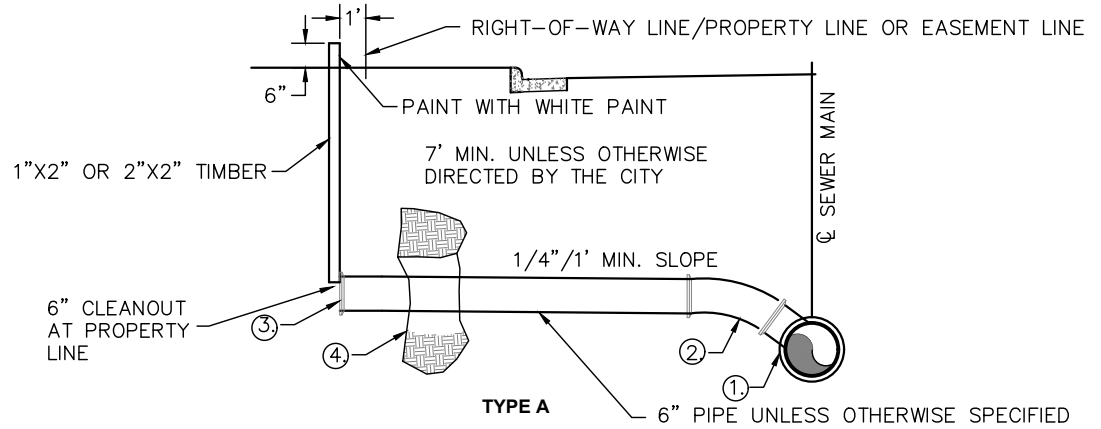


NOTES

- A. RISER PIPE TO BE BEDDED SOLIDLY AGAINST UNDISTURBED GROUND. ALSO, TEE MAY BE SUBSTITUTED FOR WYE BRANCH IF SPECIFIED.
- B. RISER PIPE TO BE INSTALLED SO THAT CONNECTING SERVICE SHALL HAVE A MINIMUM DEPTH OF 7' AT THE PROPERTY LINE UNLESS OTHERWISE DIRECTED BY THE CITY.
- C. CONCRETE ENCASEMENT AND BLOCKING REQUIRED IF DEPTH OF CONNECTION IS 12' OR GREATER.
- D. EACH SANITARY LATERAL MUST BE IN SEPARATE TRENCHES.



SERVICE RISER



- ① 6" WYE—ROTATE 45° FROM HORIZONTAL UNLESS OTHERWISE SPECIFIED.
- ② 6" 1/8° BEND OR 1/16° BEND AS NEEDED.
- ③ CAP UNLESS JOINING EXISTING SERVICE LATERAL.
- ④ BED PIPE WITH 8" GRANULAR MATERIAL AND BACKFILL WITH GRANULAR MATERIAL TO 8" ABOVE PIPE. ODOT 603 TYPE 3 #57 OR #67.
- ⑤ EXACT MEASUREMENTS MUST BE PROVIDED SHOWING DISTANCE FROM NEAREST MANHOLE, LENGTH OF LATERAL, BENDS, AND THE END OF LATERAL ELEVATION RELATIVE TO THE BACK OF CURB ELEVATION OR SOME OTHER REFERENCE POINT EASILY RECOVERED.

SERVICE LATERAL

SERVICE RISER AND SERVICE LATERAL NEW CONSTRUCTION ONLY



REVISIONS: 07-22-13	DATE APPROVED: 06/03/2020
PAGE No. 900-7	