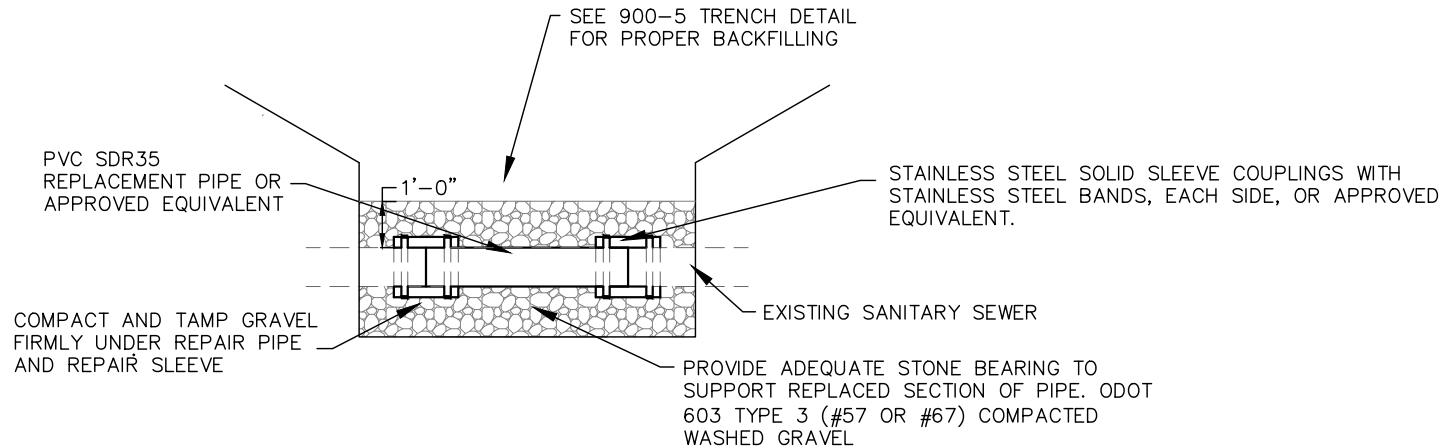


REPAIR OF EXISTING PVC SDR35 SANITARY SEWER



REPAIR OF EXISTING SANITARY SEWER OTHER THAN PVC