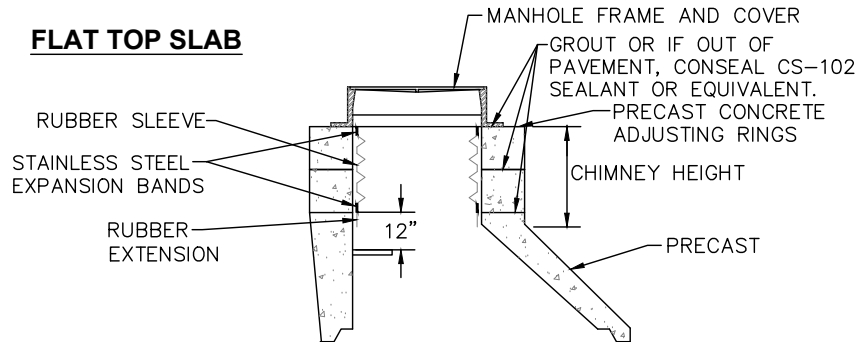
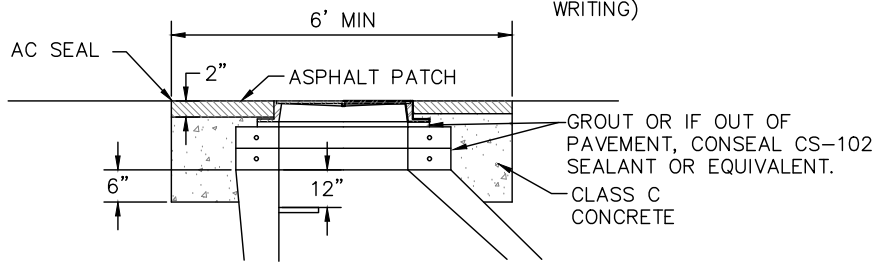


FLAT TOP SLAB



INTERNAL MANHOLE CHIMNEY SEAL

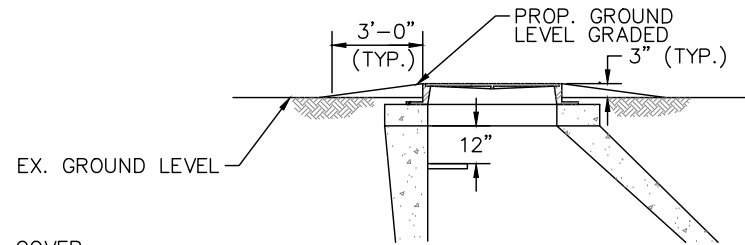
(REQUIRED ON ALL SANITARY APPLICATIONS UNLESS APPROVED BY THE ENGINEER IN WRITING)



MANHOLE REPAIR CASTING CONSTRUCTION

NOTES:

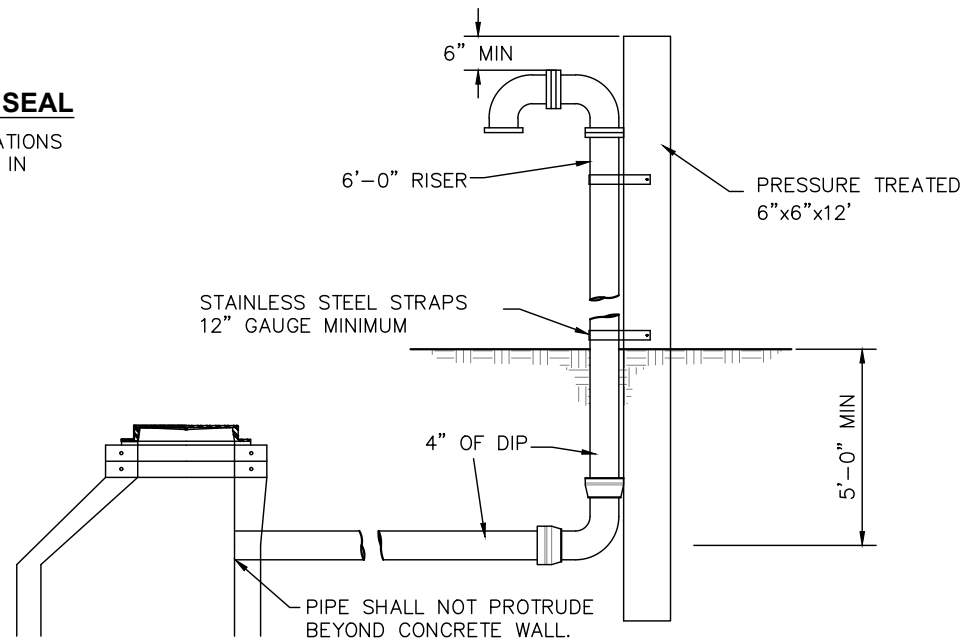
1. PRECAST CONCRETE ADJUSTING RINGS- ENCASE WITH CONCRETE 6" DOWN FROM BARRELL TOP AND UP TO WITHIN 2" OF SURFACE AND EXTENSIONS. METAL ADJUSTING RINGS WILL NOT BE ALLOWED.
2. SET MANHOLE, PRECAST CONCRETE ADJUSTING RINGS AND CASTING AND PAVE OVER MANHOLE. THEN DIG OUT, ENCASE COLLARS AND CASTING AS PER DETAIL WITH CONCRETE TO WITHIN 2" OF SURFACE. THE MANHOLE WILL HAVE A PATCHED RADIUS OF (2") ASPHALT.
3. ON ALL REPAIRED AND/OR ADJUSTED TO GRADE SANITARY MANHOLES AN INTERNAL CHIMNEY SEAL SHALL BE INSTALLED, IF NOT ALREADY PROVIDED.



TYPICAL OFF STREET MANHOLE GRADING

NOTES

- A. MANHOLE STEPS SHALL BE SECURELY INSTALLED INTO EACH MANHOLE SECTION, BY THE MANUFACTURER, PRIOR TO DELIVERY TO THE JOB SITE.
- B. MANHOLE STEPS SHALL BE PF-1 STEP BY M.A. INDUSTRIES OR EQUIVALENT. STEPS SHALL BE INSTALLED IN ALL NEW MANHOLES TO ALLOW FOR ANCHORING FLOW METERING EQUIPMENT AND SAMPLING EQUIPMENT. STEPS SHALL BE 12" AND 34" FROM THE TOP OF MANHOLE.



VENTED MANHOLE DETAIL



**CITY OF
SIDNEY**

MISCELLANEOUS SANITARY MANHOLE DETAILS

REVISIONS: 10-12-09 07-22-13	DATE APPROVED: 06/03/2020
PAGE No. 900-4	