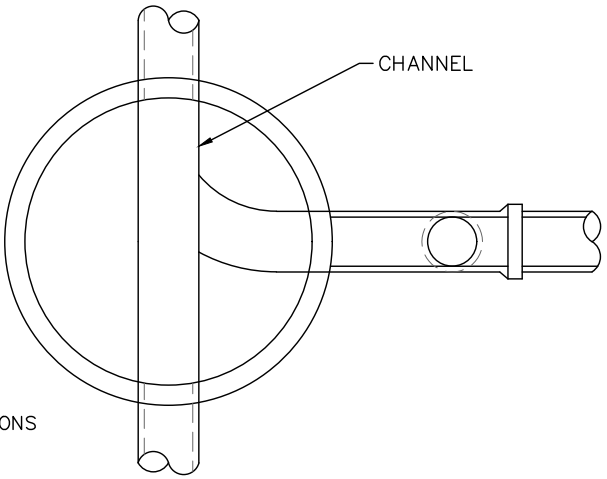
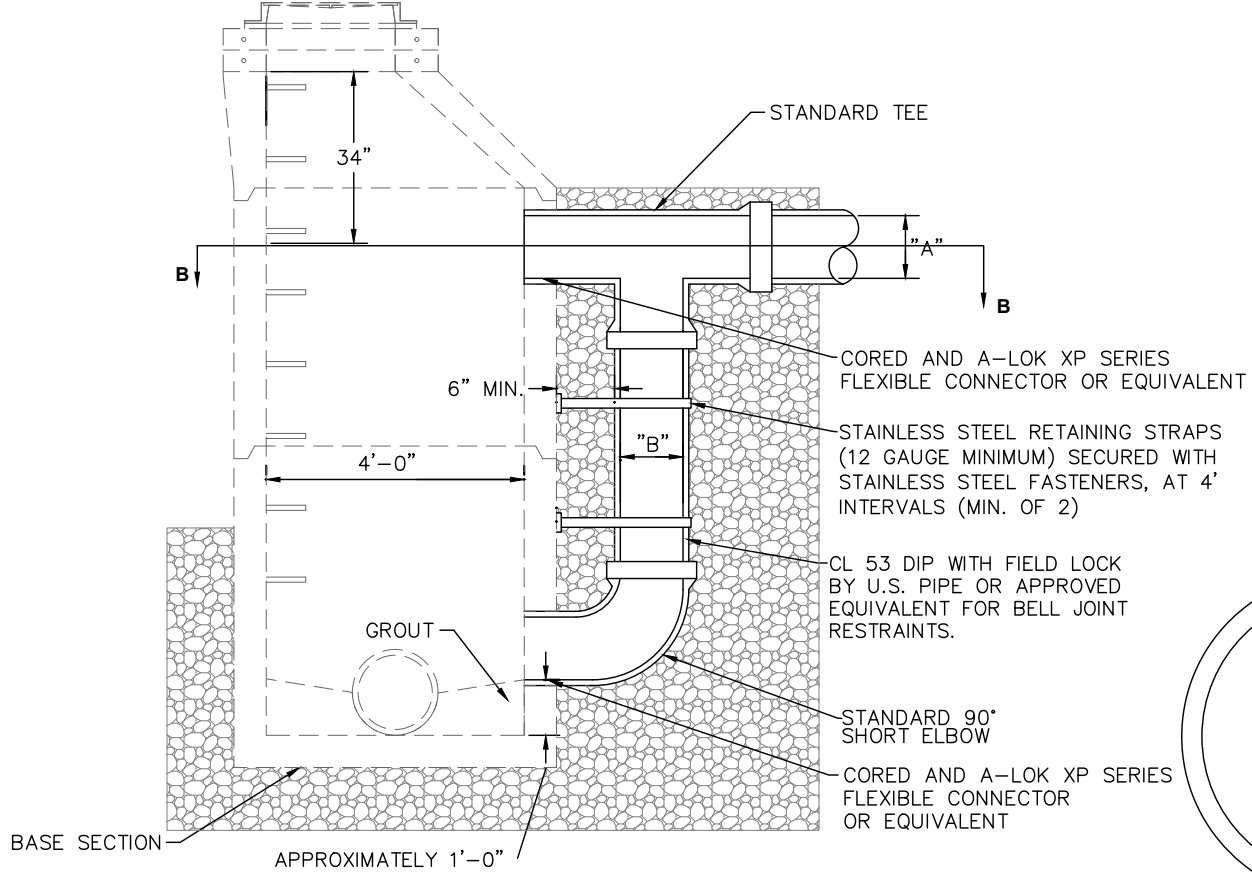


"A"	"B"
8", 10", & 12"	8"
15" & 18"	10"
21" & 24"	12"

**DROP CONNECTION MANHOLE**



**SECTION B-B**

**NOTES**

- A. SANITARY DROP MANHOLE SHALL BE USED WHERE THE DIFFERENCE IN INVERT ELEVATIONS IS GREATER THAN 2'-0".
- B. ALL NOTES AND ASTM REFERENCES ON THE TYPE 3 SANITARY MANHOLE SHALL APPLY ON THE SANITARY DROP ON EXISTING MANHOLE.
- C. ALL NOTES AND ASTM REFERENCES ON THE TYPE D SANITARY DROP MANHOLE SHALL APPLY ON THE SANITARY DROP ON EXISTING MANHOLE.
- D. THE DUCTILE IRON PIPE SHALL BE ANCHORED TO THE OUTSIDE OF THE EXISTING MANHOLE.