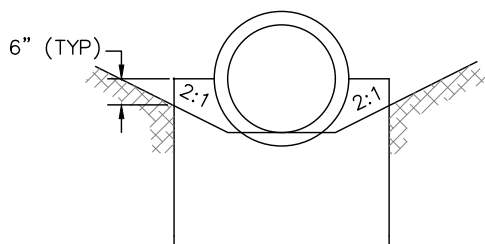
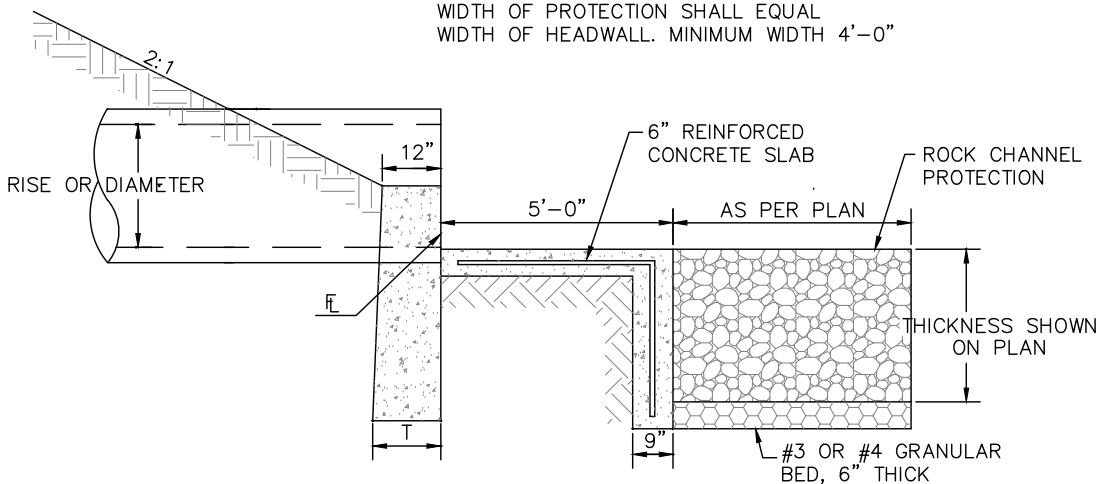


CIRCULAR

ELLIPTICAL



WIDTH OF PROTECTION SHALL EQUAL WIDTH OF HEADWALL. MINIMUM WIDTH 4'-0"

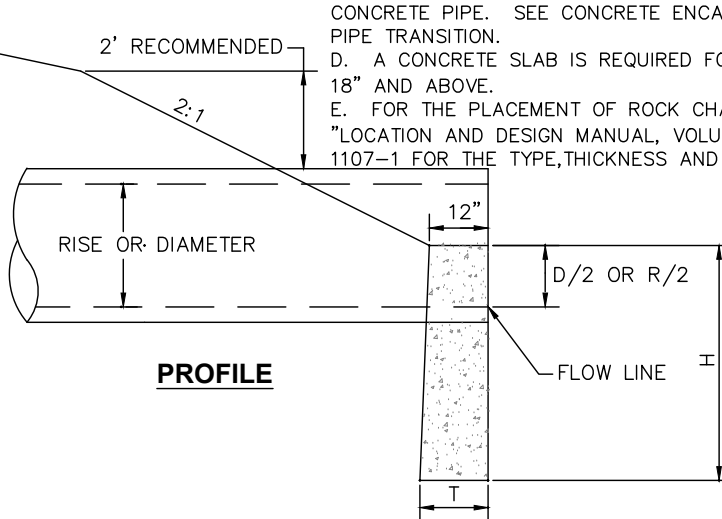


OUTLET CHANNEL PROTECTION DETAIL

(CUTOFF WALL DEPTH 2'-6" MINIMUM IS VARIABLE TO MATCH REQUIRED THICKNESS OF ROCK.)

NOTES

- A. CONCRETE FOR HEADWALLS SHALL BE ODOT CLASS C. CONCRETE QUANTITIES ARE BASED ON HEADWALLS ONLY.
- B. HEADWALLS MAY BE PRECAST CONCRETE CONSTRUCTED TO THE ABOVE REQUIREMENTS. GROUT AROUND PIPE AFTER INSTALLATION.
- C. LAST 20'± OF PIPE BEFORE HEADWALL SHALL BE REINFORCED CONCRETE PIPE. SEE CONCRETE ENCASEMENT DETAIL, 600-9 FOR PIPE TRANSITION.
- D. A CONCRETE SLAB IS REQUIRED FOR PIPES WITH A DIAMETER OF 18" AND ABOVE.
- E. FOR THE PLACEMENT OF ROCK CHANNEL PROTECTION SEE ODOT "LOCATION AND DESIGN MANUAL, VOLUME 2, DRAINAGE DESIGN" TABLE 1107-1 FOR THE TYPE, THICKNESS AND LENGTH.



PROFILE

HEADWALL FOR CONCRETE PIPE

CIRCULAR				CONC. C.Y.	ELLIPTICAL					CONC. C.Y.
D	W	H	T		SPAN	RISE	W	H	T	
12"	2'-0"	3'-0"	12"	.20	23"	14"	3'-0"	3'-2"	12"	.29
15"	2'-6"	3'-2"	12"	.25	30"	19"	3'-7"	3'-4"	12"	.35
18"	3'-0"	3'-3"	12"	.31	34"	22"	3'-11"	3'-5"	12"	.38
21"	3'-6"	3'-4"	12"	.37	38"	24"	4'-6"	3'-6"	12"	.44
24"	4'-0"	3'-6"	12"	.43	42"	27"	4'-8"	3'-7"	12"	.45
27"	4'-6"	3'-8"	12"	.49	45"	29"	5'-2"	3'-8"	12"	.49
30"	5'-0"	3'-9"	12"	.56	49"	32"	5'-5"	3'-10"	12"	.52
33"	5'-6"	3'-10"	12"	.62	53"	34"	5'-11"	4'-0"	14"	.66
36"	6'-0"	4'-0"	12"	.69	60"	38"	6'-10"	4'-2"	14"	.82
39"	6'-6"	4'-2"	12"	.77	68"	43"	8'-0"	4'-4"	16"	1.01
42"	7'-0"	4'-3"	12"	.84	76"	48"	9'-2"	5'-0"	16"	1.34
48"	8'-0"	4'-6"	14"	1.09	83"	53"	10'-4"	5'-2"	18"	1.65
54"	9'-3"	4'-9"	14"	1.32	91"	58"	11'-6"	5'-5"	18"	1.97
60"	10'-6"	5'-6"	16"	1.93	98"	63"	12'-7"	5'-7"	20"	2.38
66"	11'-9"	5'-9"	18"	2.42	106"	68"	13'-9"	5'-10"	20"	2.69
72"	13'-0"	6'-0"	18"	2.77	113"	72"	14'-9"	6'-0"	22"	3.14
78"	14'-3"	6'-3"	20"	3.37	121"	77"	15'-11"	6'-3"	22"	3.49
84"	15'-6"	6'-6"	22"	4.05	128"	82"	17'-0"	6'-5"	24"	4.04



HALF-HEIGHT HEADWALL

REVISIONS:
07-22-13

DATE APPROVED:
06/03/2020

PAGE No.
600-8