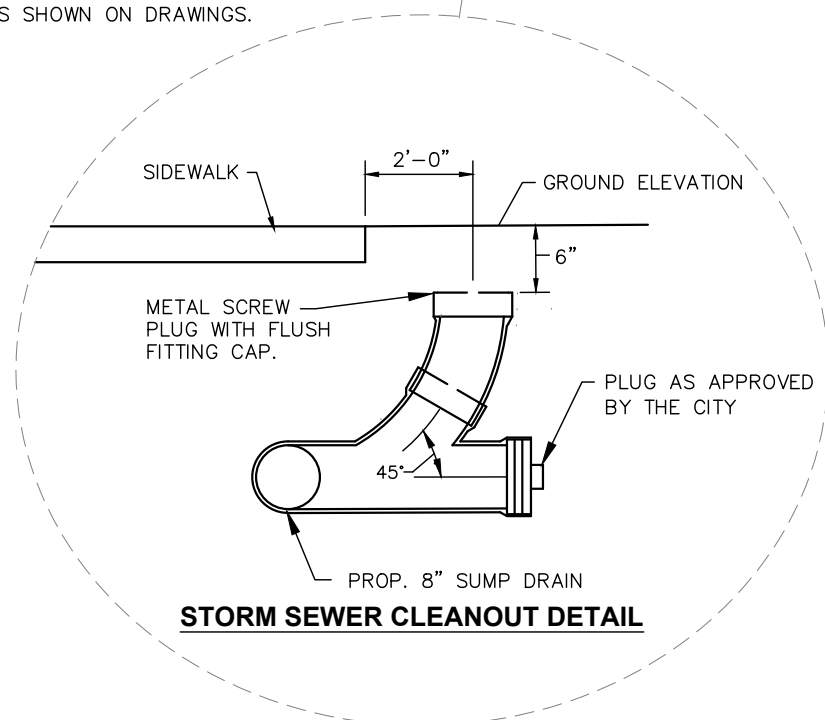
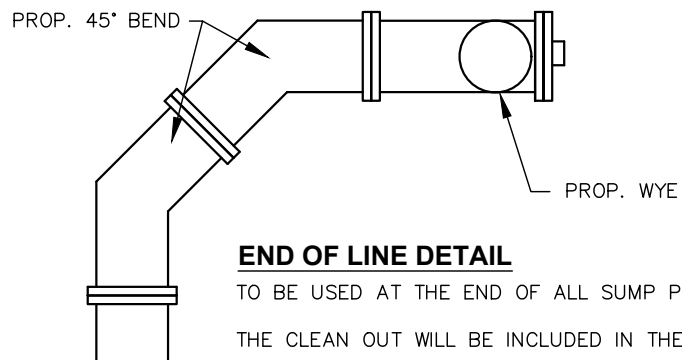


8" SDR 35 OR 8" POLYETHYLENE SMOOTH INTERIOR (SDR 35 OR SCH 40) WITH 8"X4" TEE (INSERTA TEES WILL BE PERMITTED) AT EACH DOWN SPOUT, MIN. 2 PER LOT AND CONNECTED TO CATCH BASIN AND CLEANOUT LOCATIONS AS SHOWN ON DRAWINGS.



STORM SEWER CLEANOUT DETAIL



END OF LINE DETAIL

TO BE USED AT THE END OF ALL SUMP PUMP DRAINS.
THE CLEAN OUT WILL BE INCLUDED IN THE COST OF THE 8" PIPE.