

MANHOLE FRAME & LID  
 (SEE MISC. SANITARY MANHOLE  
 DETAIL 900-4 FOR CHIMNEY SEAL).

PRECAST ADJUSTING RING  
 2" MIN. AND 12" MAX. AND  
 LIMITED TO NO MORE THAN  
 TWO RINGS TO REACH THE  
 12" MAXIMUM

CRETEX OR EQUAL 9" WIDE  
 JOINT WRAPS TO ALL JOINTS  
 ON THE OUTSIDE OF THE  
 MANHOLE

RUBBER O-RING GASKETS

BASE SECTION ONLY  
 SEE STANDARD DRAWING 900-1  
 FOR BASE SECTION DETAIL

1' ABOVE LARGEST OR HIGHEST  
 PIPE ENTERING MH UNLESS  
 OTHERWISE AUTHORIZED

PRECAST BASE SECTION

MANHOLE FRAME & LID

100% SILICONE  
 GRADE RINGS

CONE SHALL BE ECCENTRIC  
 STANDARD TEE

CONCRETE ENCASUREMENT

WHEN DROPS ARE PRECAST  
 6" MIN. MAY BE OMITTED

PVC PIPE

STANDARD 90°  
 SHORT ELBOW

CONCRETE ODOT  
 CLASS "C"

1' ABOVE LARGEST OR  
 HIGHEST PIPE ENTERING  
 MANHOLE UNLESS  
 OTHERWISE AUTHORIZED

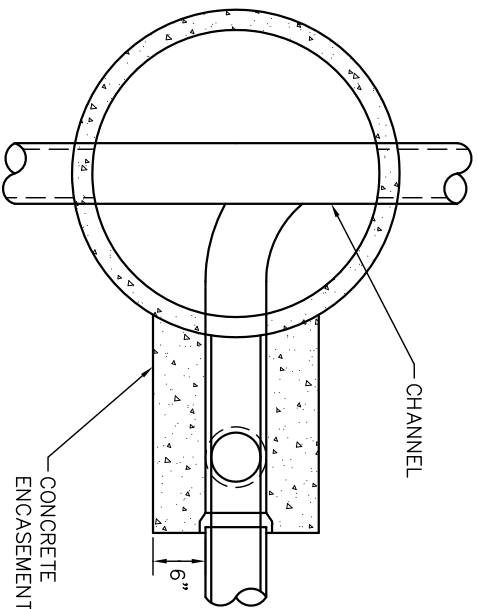
APPROXIMATELY 1'-0"

**NOTES**

- A. LOCATE THE CENTERLINE OF MANHOLE CONES OVER THE CENTERLINE OF THE MAIN SEWER WHENEVER POSSIBLE.
- B. TYPE D MANHOLE SHALL BE USED WHERE THE DIFFERENCE IN INVERT ELEVATIONS IS GREATER THAN 2'-0".
- C. ALL NOTES AND ASTM REFERENCES ON THE TYPE 3 SANITARY MANHOLE SHALL APPLY ON THE TYPE D SANITARY DROP MANHOLE.

'A'	'B'
8", 10", & 12"	8"
15" & 18"	10"
21" & 24"	12"

**DROP CONNECTION MANHOLE**



**SECTION B-B**