

PROPERTY OWNER TO BRING SERVICE TO CURB STOP FROM BUILDING

CUSTOMER RESPONSIBLE

**WATER MAIN SERVICE CONNECTION**

**ALL FORD PARTS OR APPROVED EQUIVALENT**

|             |          |          |           |           |
|-------------|----------|----------|-----------|-----------|
|             | 3/4"     | 1"       | 1-1/2"    | 2"        |
| CORPORATION | F-1000-3 | F-1000-4 | FB-1000-6 | FB-1000-7 |
| CURB STOP   | B-44-333 | B-44-444 | B-44-666  | B-44-777  |

**NOTES**  
**A.** MINIMUM 3/4" WATER SERVICE SHALL BE COPPER TYPE K OR APPROVED MATERIAL BY THE UTILITY DIRECTOR.

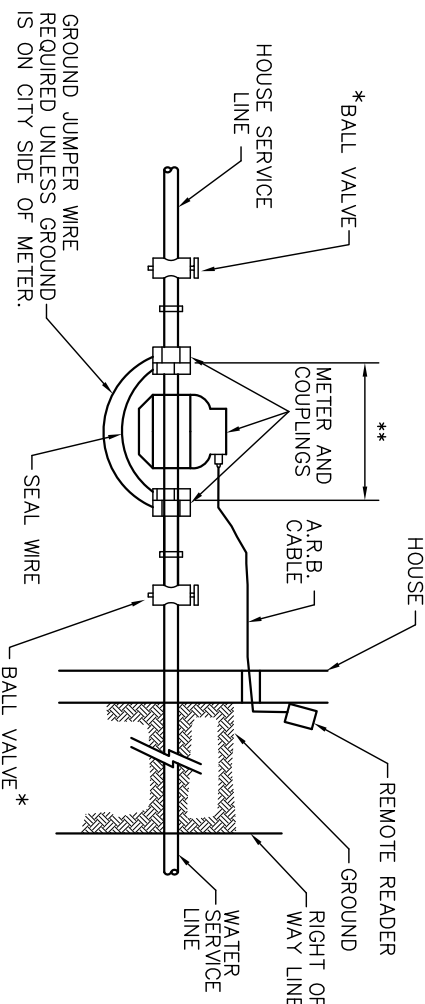
**B.** WATER SERVICE SHALL BE A MINIMUM OF 10' MEASURED HORIZONTALLY FROM THE SEWER SERVICE AND SHALL BE A MINIMUM OF 18" ABOVE THE CROWN OF THE SANITARY SEWER MAIN WHERE THE WATER SERVICE CROSSES THE SEWER MAIN. WATER SERVICE MAY BE LAID ON BENCH IN THE SEWER LATERAL TRENCH IF CROWN IS AT LEAST 18" BELOW INVERT OF WATER SERVICE, AND THE MINIMUM DISTANCE BETWEEN THE WATER SERVICE AND THE SEWER LATERAL IS 5'-0".

**C.** PROPERTY OWNER IS RESPONSIBLE FOR INSIDE METER FREEZE UP. CUSTOMER OR PLUMBER INSTALLS METER AND THE CITY INSTALLS REMOTE WIRE TO OUTSIDE.

**D.** THE CURB BOX TO BE PLACED BETWEEN THE CURB AND PROPERTY LINE.

**E.** NEPTUNE RADIO READ METERS ARE TO BE R450 PIT MOUNT AND INSTALLED IN THE METER PIT. INSIDE RADIO READ METERS CAN ONLY BE USED WITH PERMISSION OF THE UTILITIES DIRECTOR.

**F.** CITY BUILDING INSPECTOR WILL BE REQUIRED TO PERFORM AN INSPECTION TO VERIFY THAT THE ELECTRICAL SYSTEM IS PROPERLY GROUNDED IF AN EXISTING CONDUCTIVE WATER SERVICE IS REPLACED WITH A NON-CONDUCTIVE MATERIAL.



\*\* A JUMPER SUPPLIED BY WATER DEPT. UPON REQUEST

**INSIDE WATER METER**  
(NOT RECOMMENDED)

\*A GATE VALVE IS REQUIRED ON EACH SIDE OF 1" AND LARGER SERVICE LINES



**WATER MAIN SERVICE CONNECTION**  
**METERS LOCATED INSIDE (APPROVAL REQUIRED)**

REVISIONS:  
 10-12-09  
 07-22-13

DATE  
 APPROVED:  
 FEB. 2002  
 PAGE No.  
 800-7