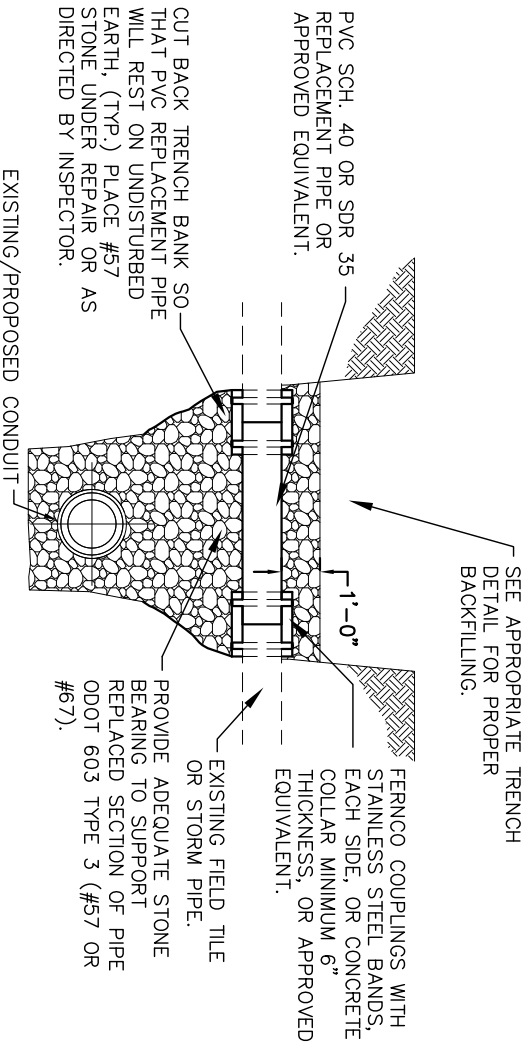




REPAIR OF EXISTING FIELD TILE OR STORM PIPE DETAIL



REPAIR OF EXISTING FIELD TILE OR STORM PIPE DETAIL

NOTES

CONCRETE REPAIRS OR PATCHES ARE UNACCEPTABLE.

REVISIONS:

DATE

APPROVED:
FEB. 2002

PAGE No.

600-15