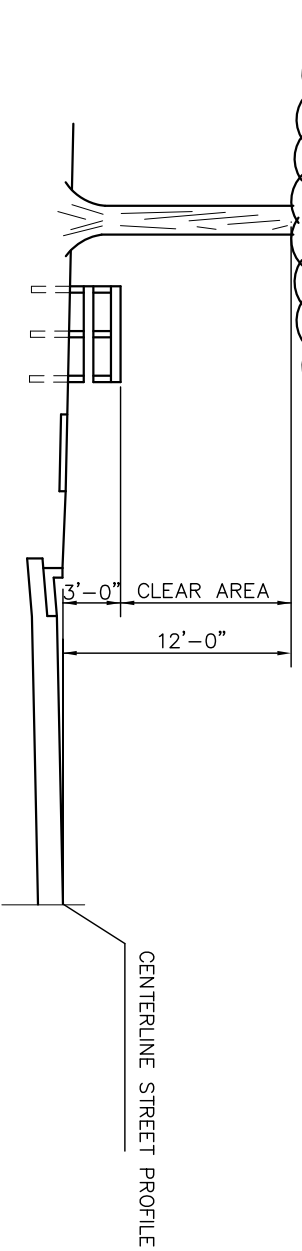
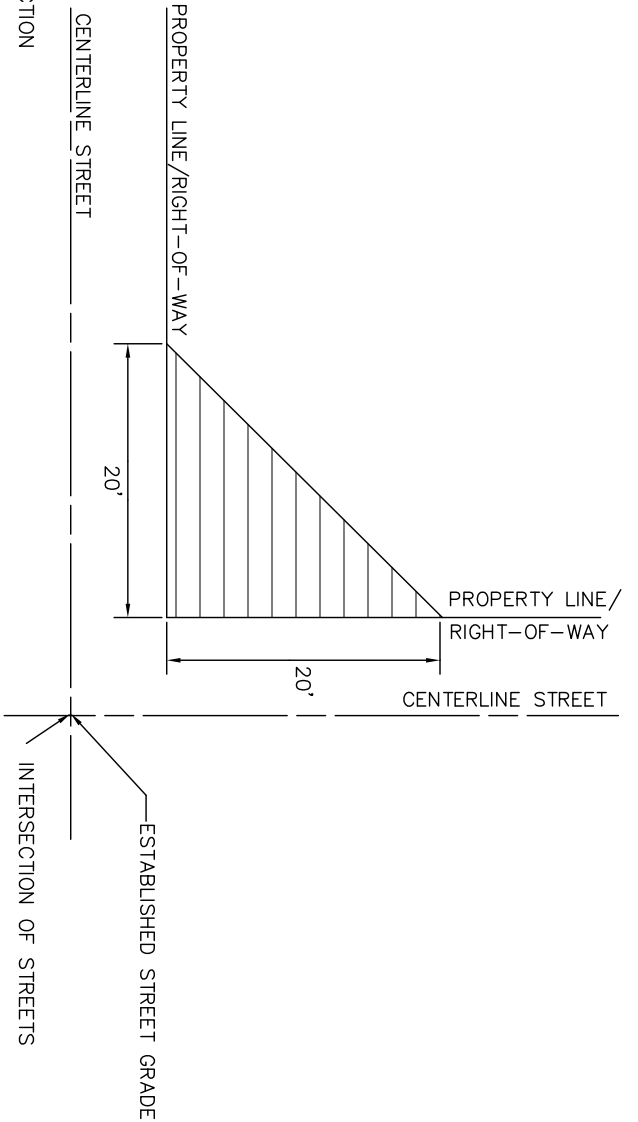
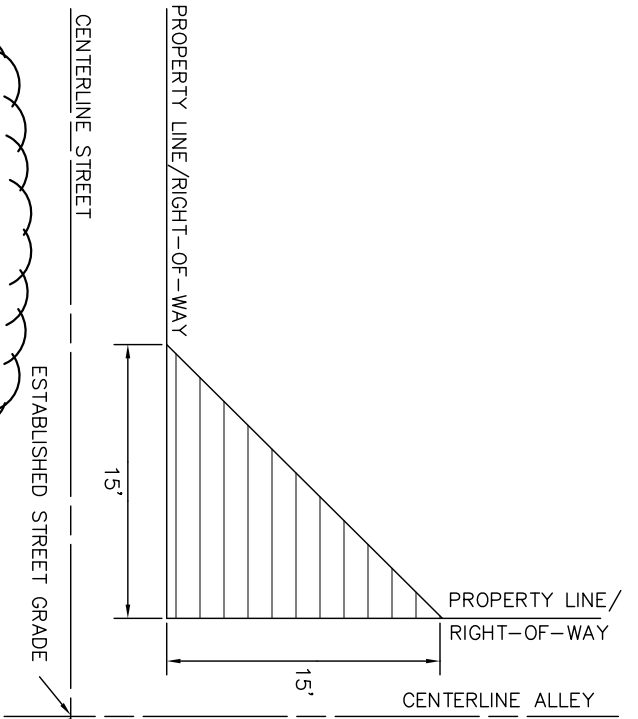




VISION CLEARANCE ON CORNER LOTS

VISION CLEARANCE EXHIBIT



NOTES

THERE SHALL BE NOTHING ABOVE 3' OR BELOW 12' OF THE ESTABLISHED STREET GRADE IN THE TRIANGULAR SHADED AREA.

NO STREET TREE SHALL BE PLANTED CLOSER THAN 25 FEET TO ANY STREET CORNER, MEASURED FROM THE POINT OF THE NEAREST INTERSECTING CURBS OR CURB LINES. NO TREE SHALL BE PLANTED CLOSER THAN 10 FEET TO ANY FIRE HYDRANT.

THIS STANDARD ONLY APPLIES TO INDUSTRIAL/COMMERCIAL, COLLECTOR, AND LOCAL STREETS. THOROUGHFARES SHALL FOLLOW THE SIGHT DISTANCE GUIDELINES SET FORTH IN THE "OHIO MANUAL OF UNIFORM TRAFFIC CONTROL DEVICES".

REVISIONS:
10-12-09
07-22-13

DATE
APPROVED:
FEB. 2002
PAGE No.