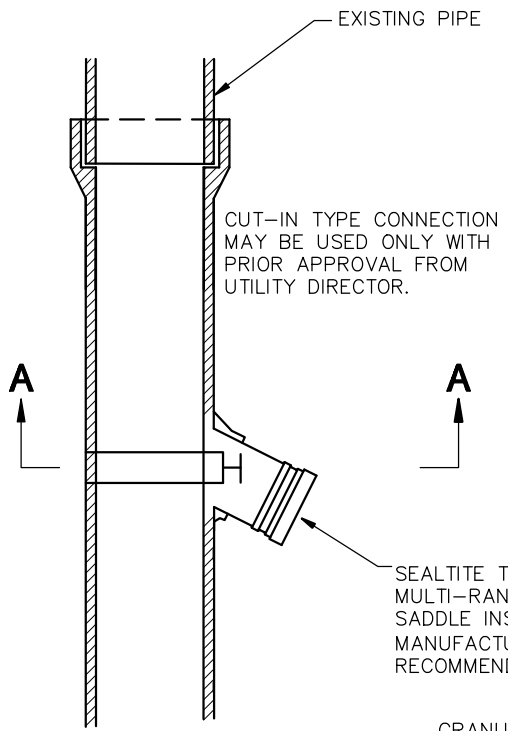


NOTES

- A.** A TEE MAY BE CUT IN OR SADDLE PLACED ONLY IF AN EXISTING LATERAL IS NOT PROVIDED.
- B.** ALL SADDLES AND CUTTING IN TEES MUST BE INSPECTED PRIOR TO COVERING, AND THE HOLE IN THE EXISTING PIPE SHALL BE INSPECTED AND APPROVED PRIOR TO INSTALLATION.
- C.** OTHER SADDLE TYPES THAT MAY BE APPROVED ON CASE-BY-CASE BASIS BY THE UTILITY DIRECTOR.
- D.** ON LOW FLOW AND PVC PIPE SDR 35 USE CUT IN TEE.
- E.** NO SADDLES ARE TO BE INSTALLED ON CLAY OR CONCRETE SANITARY MAINS WITHOUT PRIOR APPROVAL FROM THE CITY ENGINEER.

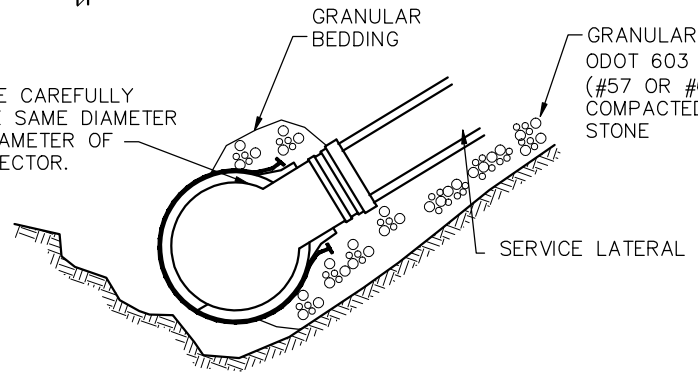
COUPLING (FOR CONNECTIONS DETAIL SEE REPAIR OF EXISTING SANITARY SEWER PIPE DETAIL 900-6).



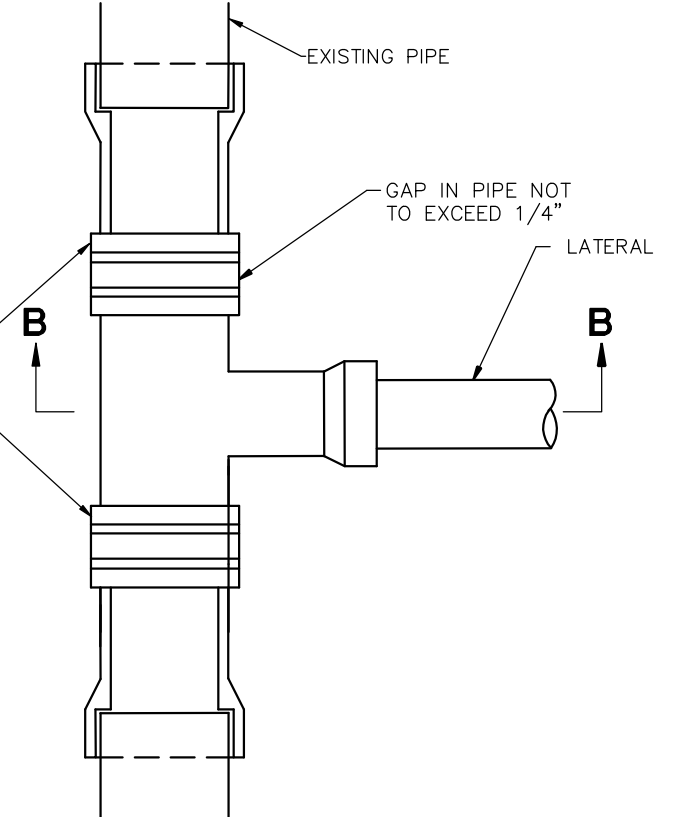
CUT-IN TYPE CONNECTION MAY BE USED ONLY WITH PRIOR APPROVAL FROM UTILITY DIRECTOR.

SEALTITE TYPE "E" MULTI-RANGE WYE SEWER SADDLE INSTALLED AS PER MANUFACTURER'S RECOMMENDATION

HOLE SHALL BE CAREFULLY CORED AND BE SAME DIAMETER AS OUTSIDE DIAMETER OF LATERAL CONNECTOR.



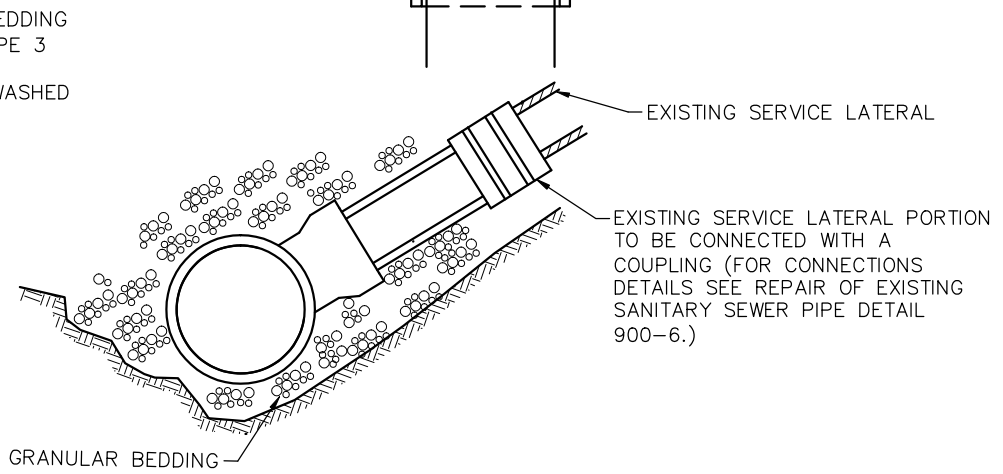
SECTION A-A



GAP IN PIPE NOT TO EXCEED 1/4"

EXISTING SERVICE LATERAL

EXISTING SERVICE LATERAL PORTION TO BE CONNECTED WITH A COUPLING (FOR CONNECTIONS DETAILS SEE REPAIR OF EXISTING SANITARY SEWER PIPE DETAIL 900-6.)



SECTION B-B