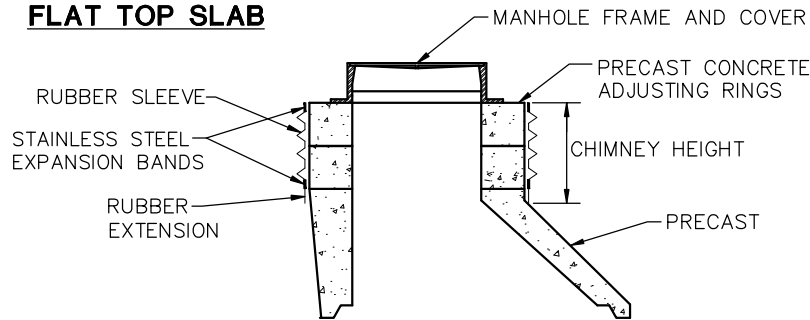
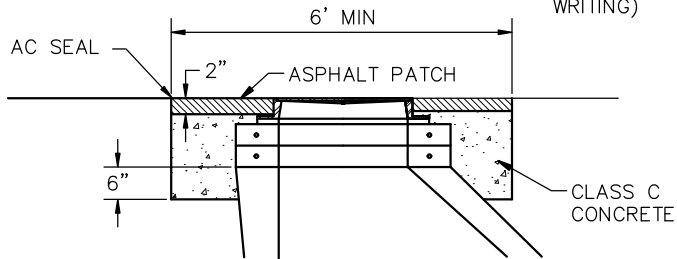


FLAT TOP SLAB



EXTERNAL MANHOLE CHIMNEY SEAL

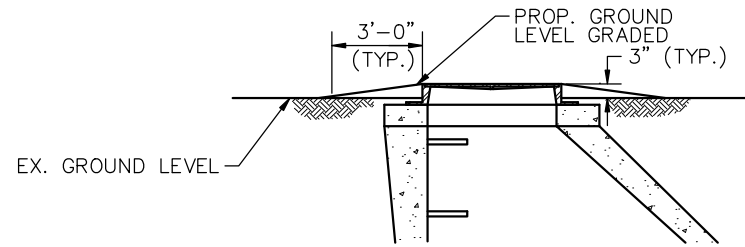
(REQUIRED ON ALL SANITARY APPLICATIONS UNLESS APPROVED BY THE ENGINEER IN WRITING)



MANHOLE REPAIR CASTING CONSTRUCTION

NOTES:

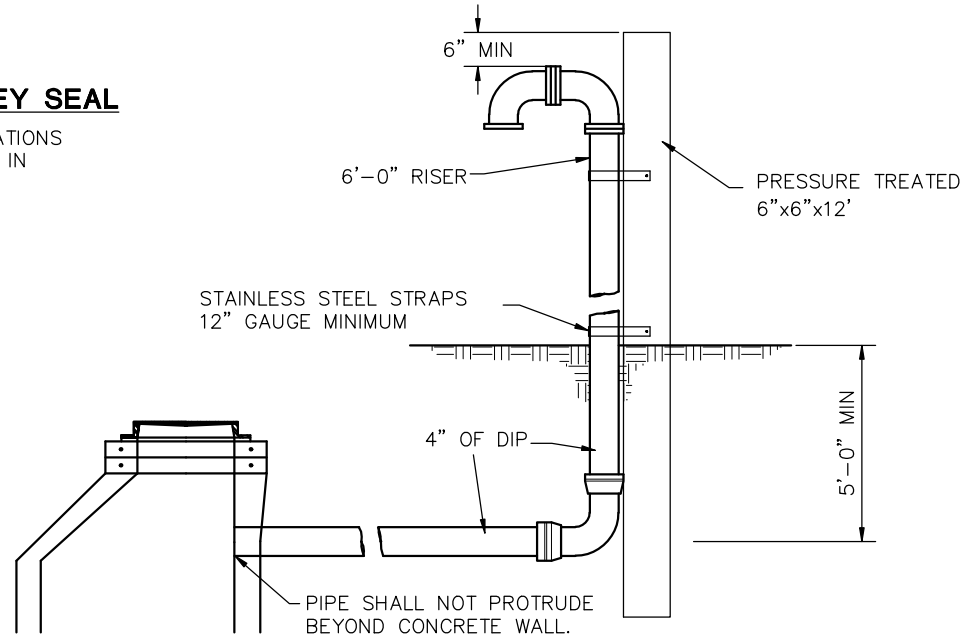
1. PRECAST CONCRETE ADJUSTING RINGS- ENCASE WITH CONCRETE 6" DOWN FROM BARRELL TOP AND UP TO WITHIN 2" OF SURFACE AND EXTENSIONS. METAL ADJUSTING RINGS WILL NOT BE ALLOWED.
2. SET MANHOLE, PRECAST CONCRETE ADJUSTING RINGS AND CASTING AND PAVE OVER MANHOLE. THEN DIG OUT, ENCASE COLLARS AND CASTING AS PER DETAIL WITH CONCRETE TO WITHIN 2" OF SURFACE. THE MANHOLE WILL HAVE A PATCHED RADIUS OF (2") ASPHALT.



TYPICAL OFF STREET MANHOLE GRADING

NOTES

- A. MANHOLE STEPS SHALL BE SECURLY INSTALLED INTO EACH MANHOLE SECTION, BY THE MANUFACTURER, PRIOR TO DELIVERY TO THE JOB SITE.
- B. MANHOLE STEPS SHALL BE PF-1 STEP BY M.A. INDUSTRIES OR EQUIVLENT.



VENTED MANHOLE DETAIL



MISCELLANEOUS SANITARY MANHOLE DETAILS

REVISIONS:
10-12-09

DATE
APPROVED:
FEB. 2002

PAGE No.

900-4