

MANHOLE FRAME & LID  
(SEE MISC. SANITARY MANHOLE  
DETAIL 900-4 FOR CHIMNEY SEAL).

PRECAST ADJUSTING RING  
2" MIN. AND 12" MAX. AND  
LIMITED TO NO MORE THAN  
TWO RINGS

MANHOLE FRAME & LID

TAR STRIP SEALS ONLY

CONE SHALL BE ECCENTRIC

STANDARD TEE

8" 24" MIN.

B

A

6" MIN.

CORED AND A-LOK XP SERIES  
FLEXIBLE CONNECTOR OR EQUIVALENT

STAINLESS STEEL RETAINING STRAPS  
(12 GAUGE MINIMUM) SECURED WITH  
STAINLESS STEEL FASTENERS, AT 4'  
INTERVALS (MIN. OF 2)

CL 53 DIP WITH FIELD LOCK  
BY U.S. PIPE OR APPROVED  
EQUIVALENT FOR BELL JOINT  
RESTRAINTS.

STANDARD 90°  
SHORT ELBOW

CORED AND A-LOK XP SERIES  
FLEXIBLE CONNECTOR  
OR EQUIVALENT

GROUT

APPROXIMATELY 1'-0"

PRECAST BASE SECTION  
WITH 6" GRANULAR BACKFILL

**NOTES**

**A.** SANITARY DROP MANHOLE SHALL BE USED WHERE THE DIFFERENCE IN INVERT ELEVATIONS IS GREATER THAN 2'-0".

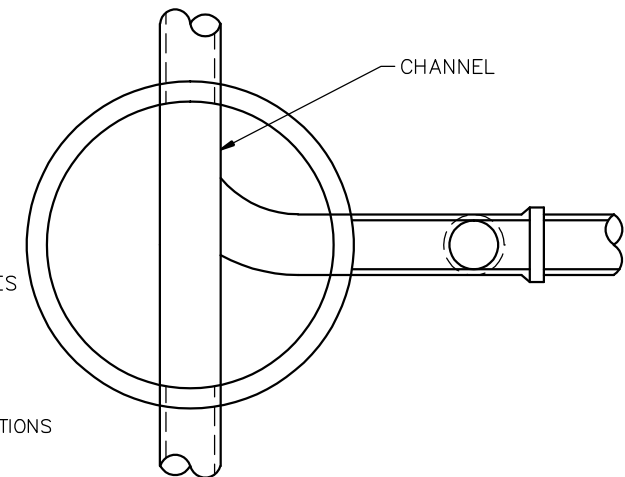
**B.** ALL NOTES AND ASTM REFERENCES ON THE TYPE 3 SANITARY MANHOLE SHALL APPLY ON THE SANITARY DROP ON EXISTING MANHOLE.

**C.** ALL NOTES AND ASTM REFERENCES ON THE TYPE D SANITARY DROP MANHOLE SHALL APPLY ON THE SANITARY DROP ON EXISTING MANHOLE.

**D.** THE DUCTILE IRON PIPE SHALL BE ANCHORED TO THE OUTSIDE OF THE EXISTING MANHOLE.

'A'	'B'
8", 10", & 12"	8"
15" & 18"	10"
21" & 24"	12"

**DROP CONNECTION MANHOLE**



**SECTION B-B**



**SANITARY DROP ON EXISTING MANHOLE**

REVISIONS:  
10-12-09

DATE  
APPROVED:  
FEB. 2002

PAGE No.

900-3