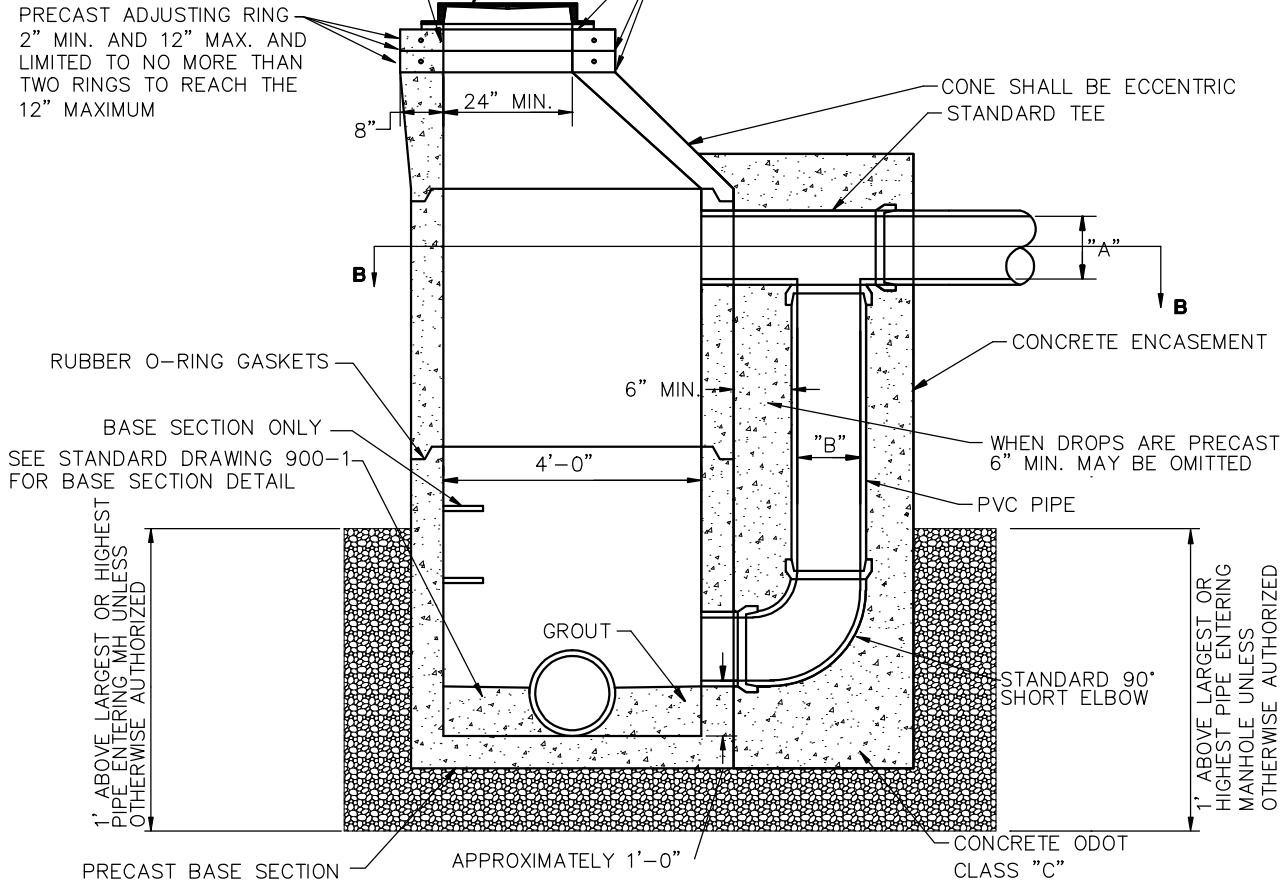


MANHOLE FRAME & LID
(SEE MISC. SANITARY MANHOLE
DETAIL 900-4 FOR CHIMNEY SEAL).

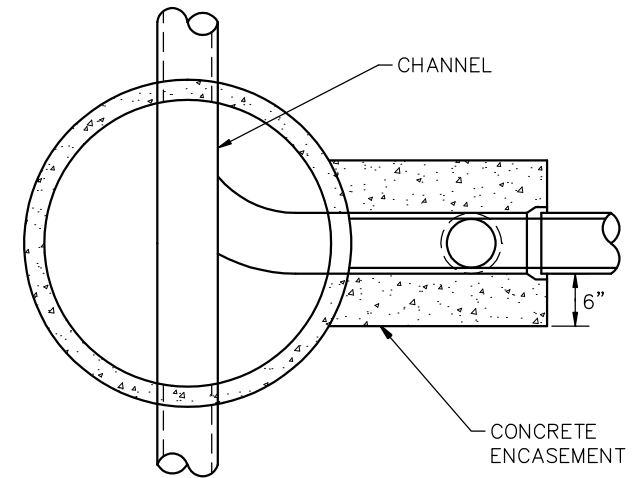
PRECAST ADJUSTING RING
2" MIN. AND 12" MAX. AND
LIMITED TO NO MORE THAN
TWO RINGS TO REACH THE
12" MAXIMUM

MANHOLE FRAME & LID
TAR STRIP SEALS ONLY



| 'A' | 'B' |
|----------------|-----|
| 8", 10", & 12" | 8" |
| 15" & 18" | 10" |
| 21" & 24" | 12" |

DROP CONNECTION MANHOLE



SECTION B-B

NOTES

- A.** LOCATE THE CENTERLINE OF MANHOLE CONES OVER THE CENTERLINE OF THE MAIN SEWER WHENEVER POSSIBLE.
- B.** TYPE D MANHOLE SHALL BE USED WHERE THE DIFFERENCE IN INVERT ELEVATIONS IS GREATER THAN 2'-0".
- C.** ALL NOTES AND ASTM REFERENCES ON THE TYPE 3 SANITARY MANHOLE SHALL APPLY ON THE TYPE D SANITARY DROP MANHOLE.



TYPE D SANITARY DROP MANHOLE

REVISIONS:
10-12-09

DATE
APPROVED:
FEB. 2002

PAGE No.

900-2