

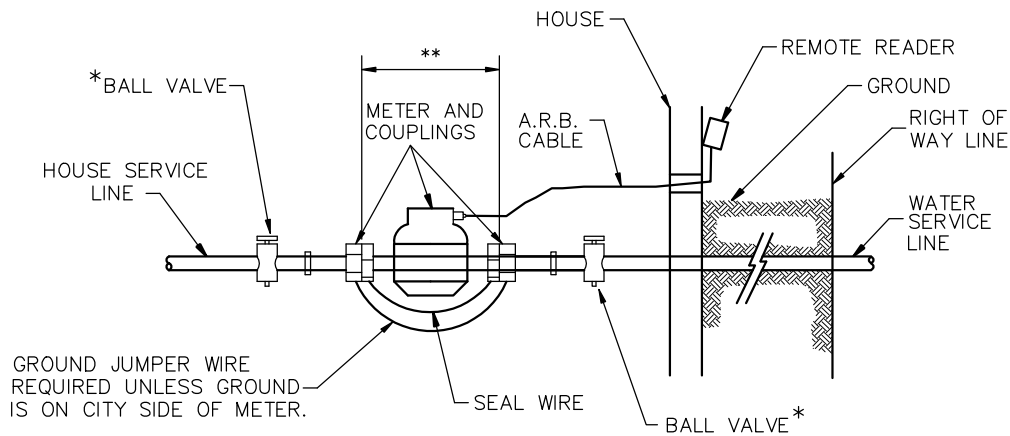
WATER MAIN SERVICE CONNECTION

CORPORATION STOP TAPPED INTO MAIN AT 45° FORD OR EQUAL FITTINGS. TAP TO BE MADE UNDER PRESSURE WITH ACCEPTABLE TAPPING MACHINE.

ALL FORD PARTS OR APPROVED EQUIVALENT				
	3/4"	1"	1-1/2"	2"
CORPORATION	F-1000-3	F-1000-4	FB-1000-6	FB-1000-7
CURB STOP	B-44-333	B-44-444	B-44-666	B-44-777

NOTES

- A.** MINIMUM 3/4" WATER SERVICE SHALL BE COPPER TYPE K OR APPROVED MATERIAL BY THE UTILITY DIRECTOR.
- B.** WATER SERVICE SHALL BE A MINIMUM OF 10' MEASURED HORIZONTALLY FROM THE SEWER SERVICE AND SHALL BE A MINIMUM OF 18" ABOVE THE CROWN OF THE SANITARY SEWER MAIN WHERE THE WATER SERVICE CROSSES THE SEWER MAIN. WATER SERVICE MAY BE LAID ON BENCH IN THE SEWER LATERAL TRENCH IF CROWN IS A LEAST 18" BELOW INVERT OF WATER SERVICE, AND THE MINIMUM DISTANCE BETWEEN THE WATER SERVICE AND THE SEWER LATERAL IS 5'-0".
- C.** PROPERTY OWNER IS RESPONSIBLE FOR INSIDE METER FREEZE UP. CUSTOMER OR PLUMBER INSTALLS METER AND THE CITY INSTALLS REMOTE WIRE TO OUTSIDE.
- D.** THE CURB BOX TO BE PLACED BETWEEN THE CURB AND PROPERTY LINE.
- E.** NEPTUNE RADIO READ METERS ARE TO BE R450 WALL MOUNT IN HOMES OR BUSINESSES, WHICH IS NOT RECOMMENDED TO BE INSIDE. METERS INSTALLED IN PITS SHALL BE A R450 PIT MOUNT.



** A JUMPER SUPPLIED BY WATER DEPT. UPON REQUEST

INSIDE WATER METER
(NOT RECOMMENDED)

*A GATE VALVE IS REQUIRED ON EACH SIDE OF 1" AND LARGER SERVICE LINES



WATER MAIN SERVICE CONNECTION

REVISIONS: 10-12-09	DATE APPROVED: FEB. 2002
	PAGE No. 800-7