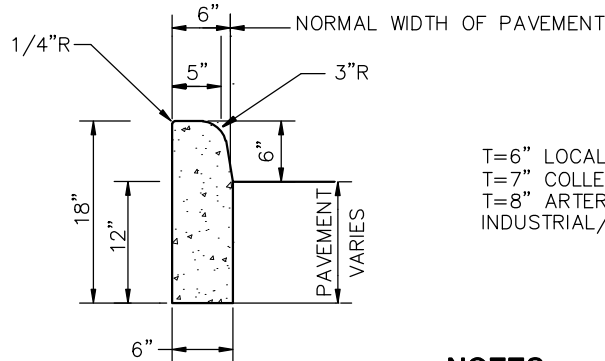
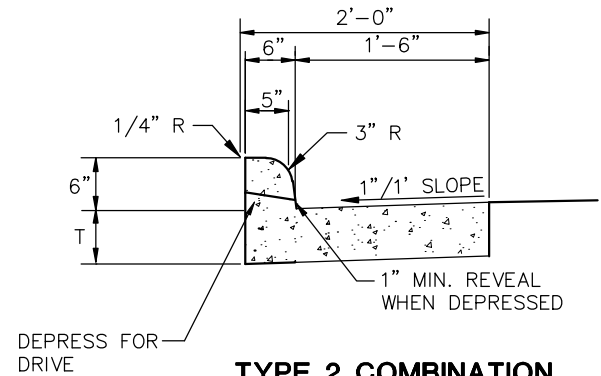


**TYPE 1
COMBINATION ROLL CURB AND GUTTER**



**TYPE 6
BARRIER CURB**

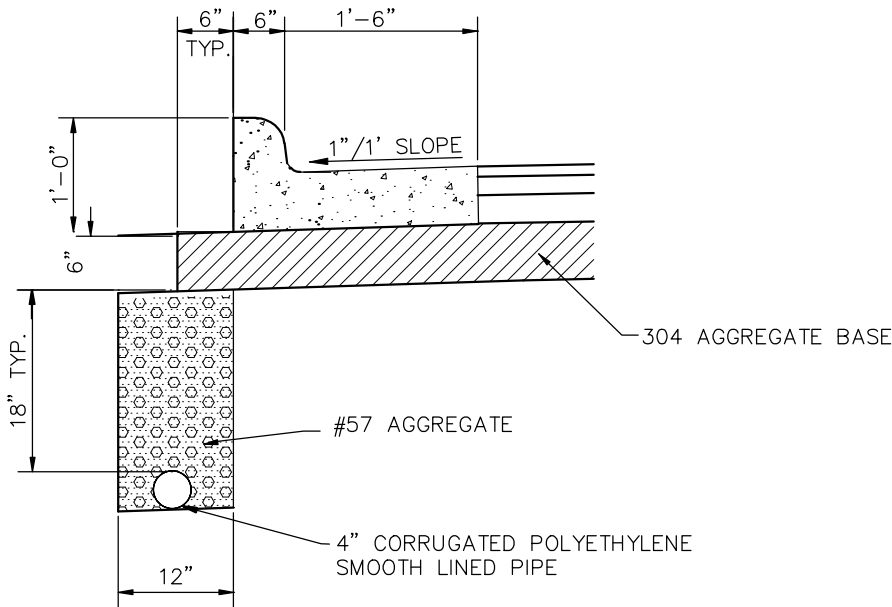
T=6" LOCAL
T=7" COLLECTOR
T=8" ARTERIAL/
INDUSTRIAL/COMMERCIAL



**TYPE 2 COMBINATION
CURB AND GUTTER**

NOTES

- A. CONCRETE WORK SHALL MEET THE REQUIREMENTS SET FORTH IN ODOT ITEM 609 CURBING.
- B. CURBING SHALL HAVE CONTRACTION JOINTS EVERY 10'.
- C. MINIMUM OF 6" OF ODOT 304 SHALL BE PLACED UNDER CURBING.
- D. CURBING SHALL BE BACKFILLED IMMEDIATELY AFTER FORMS ARE REMOVED OR AS SOON AS PRACTICAL WHEN SLIP FORMING PRIOR TO OTHER CONSTRUCTION OPERATIONS.
- E. PROVIDE BROOM FINISH AND EDGING TO ALL EXPOSED SURFACES.
- F. APPLY CLEAR CURING COMPOUND ON ALL SURFACES INCLUDING BACK IMMEDIATELY AFTER FINISHING SURFACES. ANY OTHER METHOD OR TYPE OF CURING COMPOUND MUST BE PREAPPROVED.
- G. CONCRETE SHALL BE ODOT CLASS C WITH FIBERMESH (4000 PSI, 600LB/CY CEMENT). PROPORTIONING OPTIONS 1 AND 2 NOT ALLOWED.
- H. CONCRETE SHALL CONTAIN 6% ± 1% OF TOTAL AIR.
- I. TYPE 6 CURBS ARE FOR USE AROUND MEDIAN SECTION.
- J. UNDERDRAIN MUST BE INSTALLED PRIOR TO CURB INSTALLATION.
- K. MINIMUM FLOW LINE SLOPE OF PERFORATED PIPE IS 0.003 FT/FT TO OUTLET.
- L. UNDERDRAIN MAY BE USED FOR SUMP PUMP DRAINS WITH A MANUFACTURED TEE, WHEN NO OTHER STORM OUTLET IS AVAILABLE AS DETERMINED BY THE CITY. IN NO CASE SHALL DOWNSPOUTS BE TIED INTO THE UNDERDRAIN.
- M. MACHINE CUTTING THE BACK OF CURB MAY BE DONE. APPROVAL FROM CITY ENGINEER PRIOR TO CUTTING IS REQUIRED.



**4" SHALLOW PIPE UNDERDRAIN DETAIL
(ONLY AS REQUIRED BY THE CITY)**