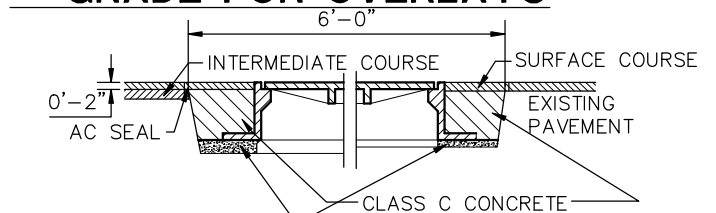


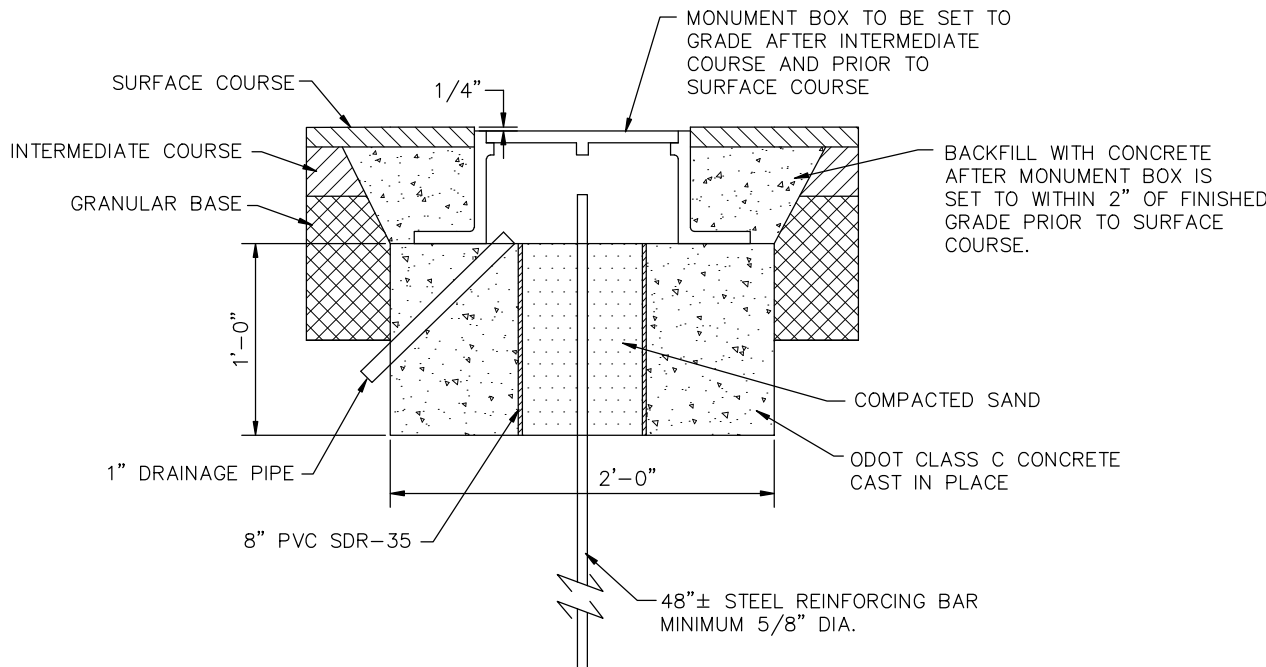
BUTT JOINT DETAIL

MANHOLES ADJUSTED TO GRADE FOR OVERLAYS



GRADE RINGS, CLASS C CONCRETE OR MORTAR. MAX. MORTAR THICKNESS 1 1/2".

NOTE: SEE STORM AND SANITARY MANHOLE DETAILS



SURVEY MONUMENT DETAIL

NOTES

- A.** MONUMENT BOXES SHALL BE SET AT ALL STREET INTERSECTIONS AND CENTER POINTS OF CUL-DE-SACS. MONUMENT BOXES SHALL ALSO BE PLACED AT SECTION CORNERS OR OTHER SIGNIFICANT POINTS AT THE CITY'S DISCRETION, SO LONG AS THESE CORNERS OR POINTS LIE WITHIN THE PAVED ROADWAY.
- B.** MONUMENT BOXES SHALL BE PLACED ON THE P.C. & P.T. OF A SIMPLE CURVE, OR THE T.S. & S.T. OF A SPIRAL CURVE. IF THE P.I. OF A SIMPLE CURVE IS ACCESSIBLE WITHIN THE PAVED ROADWAY THEN A MONUMENT BOX SHALL BE PLACED AT THE P.I. THE P.C. & P.T. CAN THEN BE ELIMINATED.
- C.** MONUMENT BOXES NOTED IN PARAGRAPH B MAY BE ELIMINATED IF A LINE OF SIGHT (TAKING INTO ACCOUNT BOTH HORIZONTAL AND VERTICAL FACTORS) IS AVAILABLE WITHIN THE CURBS BETWEEN REQUIRED MONUMENT BOXES TO BE INSTALLED (SEE PARAGRAPH A). IF MONUMENT BOXES ARE ELIMINATED, THEN APPROVED MONUMENTS SHALL BE SET IN THEIR PLACE. APPROVED MONUMENTS ARE RAILROAD SPIKE, GIN SPINDLE, OR IRON PIN.
- D.** MONUMENT BOXES SHALL BE SET PRIOR TO THE LAYING OF ODOT ITEM 448 SURFACE ASPHALT COURSE UNLESS OTHERWISE PREAPPROVED.
- E.** MONUMENT ASSEMBLIES SHALL BE EAST JORDAN IRON WORKS 8380 OR EQUAL.
- F.** MONUMENT BOXES SHALL MEET THE REQUIREMENTS OF ODOT ITEM 604 UNLESS OTHERWISE SPECIFIED WITHIN.



ASPHALT OVERLAY AND MONUMENT

REVISIONS: 06-25-07 10-12-09	DATE APPROVED: FEB. 2002
PAGE No. 300-12	